



# Cone



**EN** Thanks to the bold combination of an industrial shade and acoustic fabric, an unusual model of office luminaire was created. The top quality design, noise attenuation and, above all, excellent technical parameters – all these are the features of a luminaire ideal for work. The product offers the possibility of personalizing the color of the fabric based on the M&K Filze color palette.

The Cone lamp has been awarded with the global sign of exceptional design – iF DESIGN AWARD 2022. It was also nominated for the German Design Award 2021 in the Excellent Product Design category.

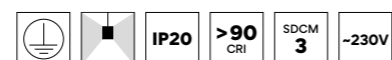
**DE** Dank der kühnen Kombination eines industriellen Lampenschirms mit einem akustischen Stoff wurde ein ungewöhnliches Modell einer Büroleuchte geschaffen. Design höchster Qualität, Geräuschunterdrückung und vor allem hervorragende technische Parameter – all dies sind die Merkmale der Leuchte, die sich ideal für die Arbeit eignet. Die Farbe des Stoffes kann, basierend auf der Farbpalette der M&K, personalisiert werden.

Die Cone wurde mit dem globalen Zeichen für außergewöhnliches Design ausgezeichnet – dem iF DESIGN AWARD 2022. Zudem wurde die Leuchte für den German Design Award 2021 in der Kategorie Excellent Product Design nominiert.

## Quickinfo

	Cone L ■ 03	Cone XL ■ 04
luminaire size	Ø 1070×150	Ø 1430×200
light source size	Ø 450×82	Ø 600×82
system power	30W (±9W ±21W)	48W (±14W ±34W)
luminous flux	±1000lm ±2100lm	±1750lm ±3500lm
UGR	<18	<17

## Technical information



light distribution – down	110°	90°
luminous efficiency	80lm/W	110lm/W
electrical control	ON/OFF	▲ 9
	DALI	▲ 8
color temperature	3000K	● 3
	4000K	● 4
luminaire color	black	● 01
	white	● 02
frame color	black 9005	* 01
	white 9010	* 02
	on request: RAL color palette	* 99
fabric color	Flexxica wool felt color palette FWxxxx – choose color from page 267	◆ FWxxxx
	on request: Flexxica felt color palette FFxxxx – choose color from page 267	◆ FFxxxx

## Example

Cone  
↑  
2100 – 03 – 2 – 8 – 4 – 01 – 01 – 3 – FW2318

standard power  
↑  
4000K

frame black 9005  
↑

Flexxica wool felt color 2318  
↑

size L  
↓

DALI  
↓

luminaire black  
↓

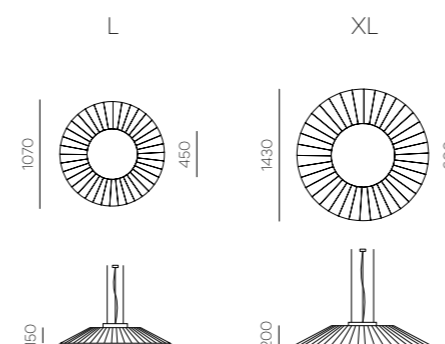
pendant up & down  
↓

## Create my unique code!

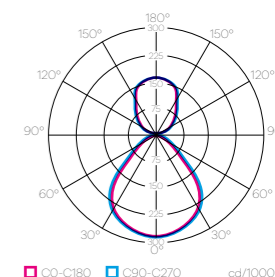
2100 – ■ – 2 – ▲ – ● – ◆ – \* – 3 – ◆



EOS POLAND TRZOP ARCHITEKCI



## light distribution UP & DOWN

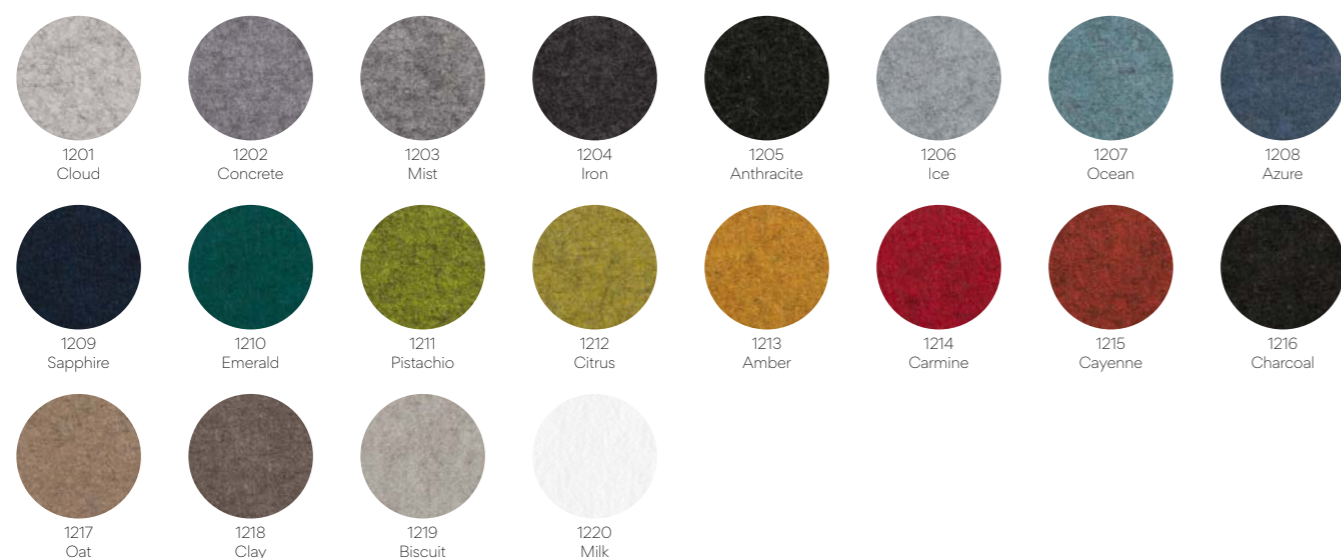




## ARCHI felt ecoPET 12 mm

**EN** The high-quality PET sound panels are robust, durable, and have a slightly textile surface that can be washed. They have excellent sound-absorbing properties, are flame-resistant and recyclable.

**DE** Hochwertige PET-Akustikplatten sind massiv, strapazierfähig, mit einer leicht textilen Oberfläche, die gewaschen werden kann. Sie haben hervorragende Schalldämmeigenschaften, sind schwer entflammbar und können recycelt werden.



## ARCHI felt ecoPET properties

### Measurements

2800 mm × 1200 mm × 12 mm

gross size

### Flammability Class

B-s1,d0

### Acoustic values

Mounting method	Directly on the wall	50 mm cavity	50 mm cavity + 50 mm rockwool	100 mm cavity	100 mm cavity + 100 mm rockwool
NRC (100–5000 Hz)	0.40	0.75	0.95	0.80	1.00
aw (100–5000 Hz)	0.25	0.60	1.00	0.80	0.95
Acoustic Class	D	C	A	B	A

## Flexxica wool felt 5 mm

**EN** Flexxica wool felt color palette is high-quality 5 mm thick felt. Wool felt has many technical uses, including, among others, in acoustics. The natural properties of wool make this felt not only look designer but also absorb noise and sound perfectly.

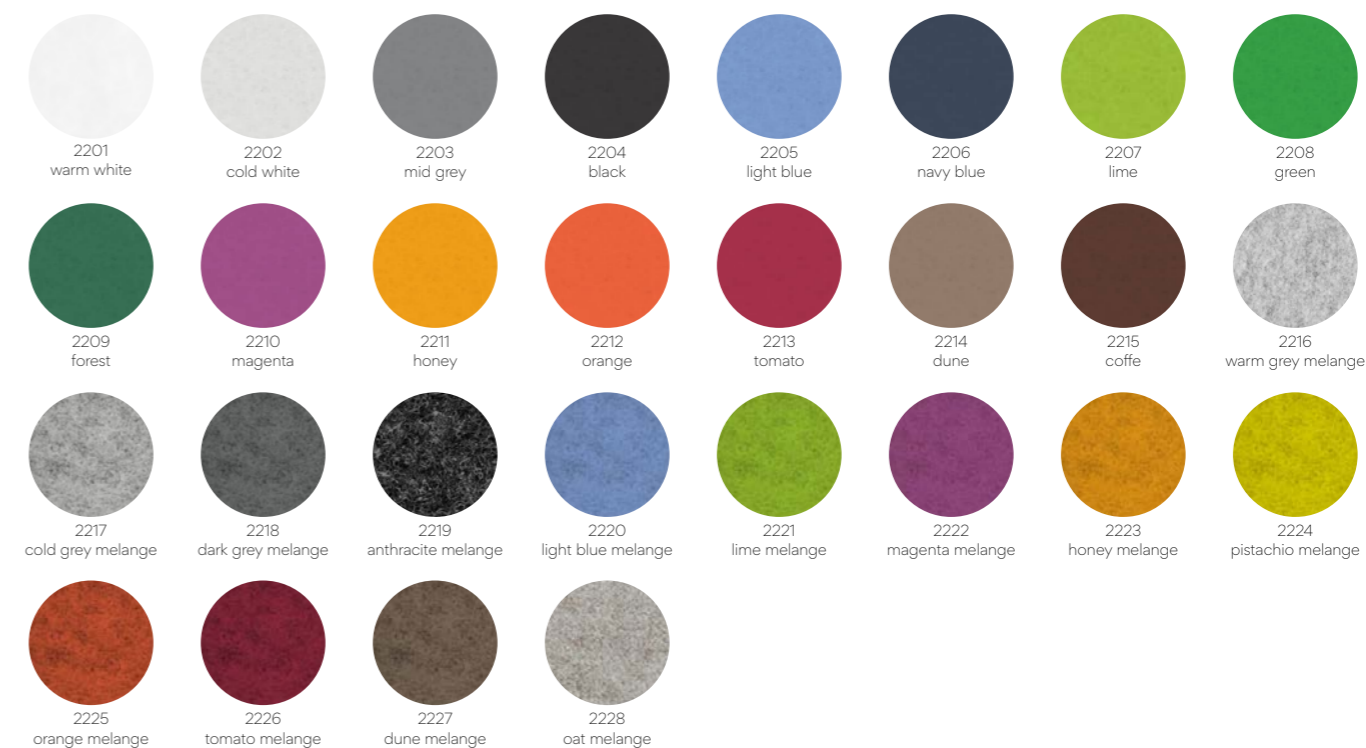
**DE** Die Farbpalette von Flexxica Wollfilz ist hochwertiger 5 mm dicker Filz. Wollfilze haben viele technische Anwendungen, u. a. in der Akustik. Die natürlichen Eigenschaften der Wolle verleihen diesem Filz nicht nur ein Design-Look, sondern auch eine perfekte Dämpfung von Lärm und Geräuschen.



## Flexxica felt 5 mm

**EN** Flexxica felt color palette is a wide range of flame-retardant design felts with a velour finish and high noise reduction properties. They are available in many colors, ideal for many decorative projects, including upholstery and interiors.

**DE** Die flexxica-Farbpalette für Filze ist eine große Auswahl an schwer entflammaren Designfilzen mit Velours-Finish und hohen Geräuschminderungseigenschaften. Sie sind in vielen Farben erhältlich, ideal für viele dekorative Projekte, einschließlich Polsterung und Innenausstattung.



# Guidelines for cleaning and maintenance of materials used in flexxica luminaires.

To maintain the beautiful color and appearance of flexxica lighting fittings, we recommend gentle vacuuming with a soft tip, preferably weekly.

## Stain removal – the golden rule

Remove the stain as soon as possible. Most stains can be removed with lukewarm water, possibly with the addition of a neutral detergent.

## Merino wool felt

Wool is antistatic and does not attract dirt like other fabrics. Wool is also water-repellent, so the liquids slowly penetrate the fabric.

Cleaning: First, soak up as much liquid as possible with a white kitchen towel or cloth. If the stain has dried, remove as much as possible with a vacuum cleaner. Wipe carefully with a clean white cloth.

## Upholstered material

Upholstery in flexxica luminaires is highly versatile and durable. The material is antistatic and fireproof, so stains are easily removed.

Cleaning: Do not wet the entire lampshade. Always use a clean white cotton cloth and only use small amounts of cleaning agent at a time.

## EcoPET material

The ecoPET is made of 60% recycled PET bottles. It is straightforward to maintain, and stains can be removed easily and hassle-free.

Cleaning: Never rub hard to remove a stain. Always use a clean white cotton cloth with a bit of detergent.

## Glass luminaires

Boya is made in a traditional blown-glass technology, therefore it requires special and delicate cleaning care.

Cleaning: Use a soft, lint-free microfiber or cotton cloth with distilled water (optimal) or mild glass cleaner or a solution of equal parts water and white vinegar. Wipe carefully with a clean white cloth.

## WARNING!

**Benzene, acetone, and similar solvent-based products may discolor the materials of the flexxica luminaires. Before use, apply a small amount of the product to an inconspicuous spot to ensure it doesn't cause any damage or discoloration.**

## flexxica

ul. Szyszkowa 43  
02-285 Warsaw  
Poland / European Union

+48 723 06 30 30  
hello@flexxica.com  
flexxica.com

## PHOTOGRAPHY

Dominika Rutkowska  
Ernest Wińczyk  
Fotomohito  
Patryk Lewiński  
PION Studio  
Szymon Polański

Copyright 2024 flexxica®

The flexxica® logo is a national and international registered trademark, held and owned exclusively by PL sp. z o.o. It cannot be reproduced or used, for commercial or other purposes, without the prior written permission of flexxica. This catalog cancels and replaces all previous editions. Flexxica has ensured that the information contained in this catalog is as accurate as possible; however, it declines all responsibility for any printing errors. Flexxica reserves the right to make modifications and improvements of a technical or aesthetic nature to the products at any time without notice. The reproduction (even partial) of this catalog, for any reason and with any means, is prohibited without the prior written permission of flexxica.

Please note that the actual appearance of flexxica's felt and fabric lighting fixtures may vary from the images shown in the catalog. This is because each type of felt and fabric possesses its own distinct characteristics. This is not a disadvantage of the luminaire but an advantage – each product is unique and unrepeatable.

Keep in mind that the colors of PET, felts, and fabric may differ slightly from what you see in the catalog. For the most accurate representation, we recommend referring to our sample book.

Due to the production process of both felt and PET, there may be slight variations in material between different production batches. Additionally, please take into consideration that PET boards have distinct left and right sides, along with a specific fiber arrangement. This is particularly important to consider when installing larger structures, such as wall-mounted panels.

Graphic Design: emenem.pl

Paper: Arctic Volume White 115g

Cover: Color STYLE Recycling 270g

Typeface: Gordita

Printed in Poland