

VULCANO LINE

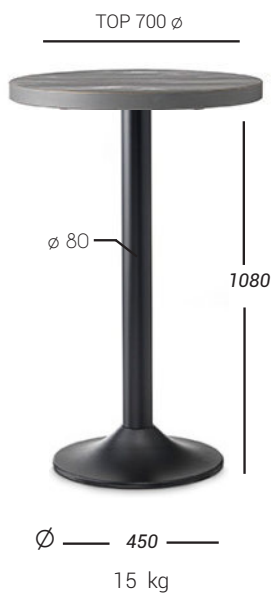
# 2002 BASE

Cast iron base composed of round ballast, painted steel column in round sections, "star" cross in die-cast aluminum or dial in aluminum for glass tops.



## STANDARD HEIGHTS

dimensions in millimeters



### Standard finishes



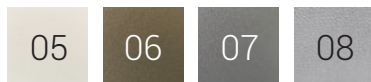
03. Orange Peel Effect Black

### Industrial paintings



09. Corten, 10. Rust, 11. Graphite Grey, 12. Coal Black, 13. Gunmetal, 14. Burnished Steel

### Special finishes



05. Wrinkle White, 06. Wrinkle Cappuccino, 07. Wrinkle Grey, 08. Orange Peel Aluminum

\* see ["Warranty, cleaning and maintenance of the products, use and placement of the products"](#)

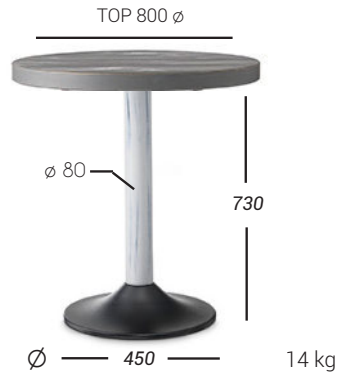
N.B: top measurements are indicative or recommended by PF STILE  
N.B: the industrial finishes are made with artisan procedures and there can be variations in color from production to production

## SOLID BEECH WOOD TUBE FOR 730 MM HIGH BASE

### Standard wood finishes



01. Natural, 02. Coffe Brown,  
03. Nutmeg



### Special PF wood finishes



04. White Alabaster,  
05. Rock Gray

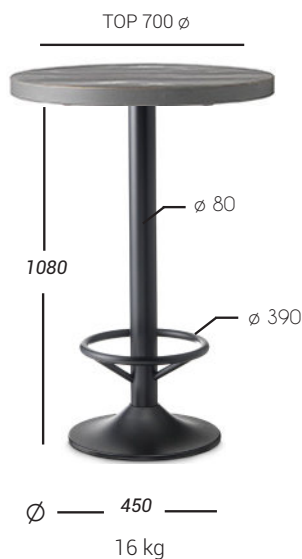
## TECHNICAL FEATURES

- Fusion ballast of cast iron painted with epoxy dust
- Column of painted steel with epoxy dust
- "Star" cross in die-cast aluminium
- Aluminium plate for glass tops
- 4 PE caps

## EXTRAS

- Adjustable feet on request
- Painting in any RAL color
- Exterior outdoor finishing \*
- Transparent polyester coating, anti-fingerprint and matt effect
- Single base cardboard packaging

- DREAM FOOTREST FOR BASE H 1080 MM



\* see "[Warranty, cleaning and maintenance of the products, use and placement of the products](#)"

N.B: top measurements are indicative or recommended by PF STILE  
N.B: the woods may undergo variations of tone from production to production

VULCANO LINE

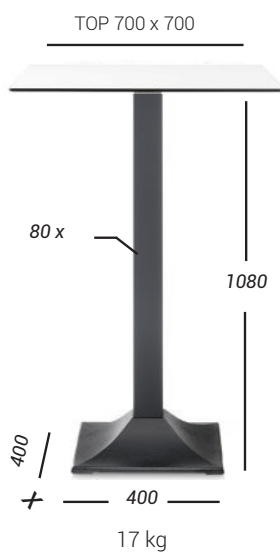
# 2003 BASE

Cast iron base composed of square ballast, column in square sections, "star" cross in die-cast aluminum or dial in aluminum for glass tops.

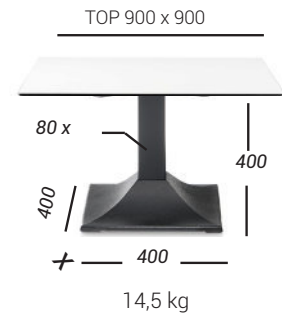
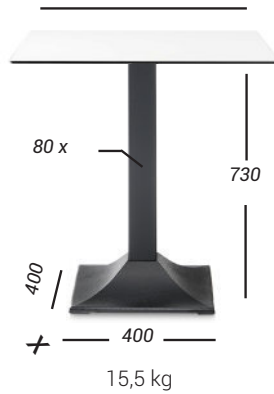


## STANDARD HEIGHTS

dimensions in millimeters



TOP 800 x 800 / 900 x 900 \*



### Standard finishes



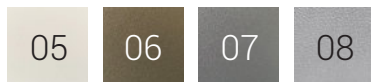
03. Orange Peel Effect Black

### Industrial paintings



09. Corten, 10. Rust, 11. Graphite Grey, 12. Coal Black, 13. Gunmetal, 14. Burnished Steel

### Special finishes



05. Wrinkle White,  
06. Wrinkle Cappuccino,  
07. Wrinkle Grey,  
08. Orange Peel Aluminum

\* see ["Warranty, cleaning and maintenance of the products, use and placement of the products"](#)

N.B: top measurements are indicative or recommended by PF STILE  
N.B: the industrial finishes are made with artisan procedures and there can be variations in color from production to production

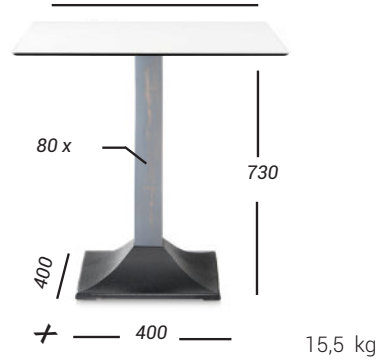
## SOLID BEECH WOOD TUBE FOR 730 MM HIGH BASE

TOP 800 x 800 / 900 x 900 \*

### Standard wood finishes



01. Natural, 02. Coffe Brown,  
03. Nutmeg



### Special PF wood finishes



04. White Alabaster,  
05. Rock Gray

## TECHNICAL FEATURES

- Fusion ballast of cast iron painted with epoxy dust
- Column of painted steel with epoxy dust
- "Star" cross in die-cast aluminium
- Aluminium plate for glass tops
- 4 PE caps

## EXTRAS

- Adjustable feet on request
- Painting in any RAL color
- Exterior outdoor finishing \*
- Transparent polyester coating, anti-fingerprint and matt effect
- Single base cardboard packaging

\* see "[Warranty, cleaning and maintenance of the products, use and placement of the products](#)"

N.B: top measurements are indicative or recommended by PF STILE  
N.B: the woods may undergo variations of tone from production to production

VULCANO LINE

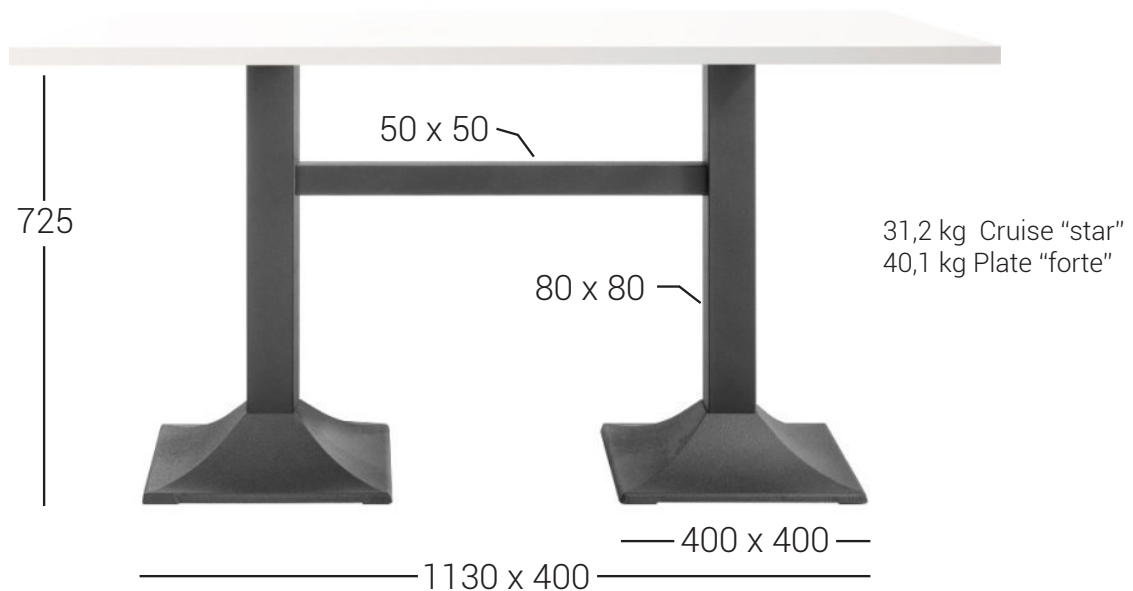
# 2003 DOUBLE BASE

Cast iron base, composed of two square cast iron ballasts, two columns and one square connecting crossbar. It is equipped with two die cast aluminum crosses or two iron plates, for wide tops

## STANDARD HEIGHTS

dimensions in millimeters

TOP 1800 x 900 / 2000 x 1000 \*



### Standard finishes



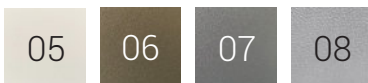
03. Orange Peel Effect Black

### Industrial paintings



09. Corten, 10. Rust, 11. Graphite Grey, 12. Coal Black, 13. Gunmetal, 14. Burnished Steel

### Special finishes



05. Wrinkle White, 06. Wrinkle Cappuccino, 07. Wrinkle Grey, 08. Orange Peel Aluminum

\* see ["Warranty, cleaning and maintenance of the products, use and placement of the products"](#)

N.B: top measurements are indicative or recommended by PF STILE  
N.B: the industrial finishes are made with artisan procedures and there can be variations in color from production to production

## TECHNICAL FEATURES

- Fusion ballast of cast iron painted with epoxy dust
- Column of painted steel with epoxy dust
- “Star” cross in die-cast aluminium  
(on demand a reinforced iron plate “forte” for fixing oversized table tops)
- 8 fixed feet

## EXTRAS

- Painting in any RAL color
- Exterior outdoor finishing \*
- Transparent polyester coating, anti-fingerprint and matt effect
- Single base cardboard packaging

\* see [“Warranty, cleaning and maintenance of the products, use and placement of the products”](#)