

HOPE LINE

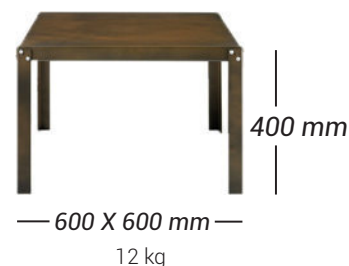
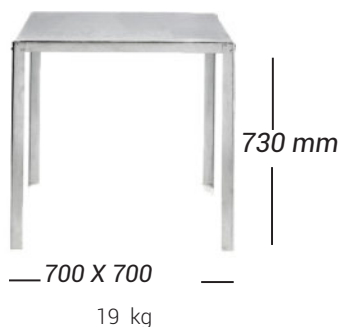
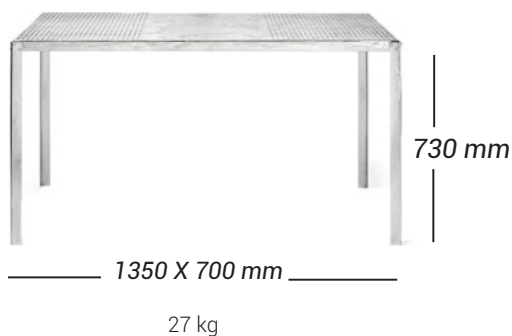
HOPE

PF STILE propose the HOPE table inspired by contemporary industrial style, characterised by visible screws, L-profile shape legs, folded-sheet steel top or shelf or full surface with a brushed finish intentionally left rough

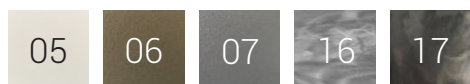


STANDARD HEIGHTS

dimensions in millimeters



Standard finishes



05. Wrinkle White, 06. Wrinkle Cappuccino, 07. Wrinkle Grey, 16. Industrial Brushed Galvanized, 17. Industrial Brushed Burnished Steel

Industrial paintings



09. Corten, 10. Rust, 11. Graphite Grey, 12. Coal Black, 13. Gunmetal



PF DETAIL



* see ["Warranty, cleaning and maintenance of the products, use and placement of the products"](#)

N.B: the industrial finishes are made with artisan procedures and there can be variations in color from production to production

TECHNICAL FEATURES

- legs with "L" profile
- boxed shelf
- visible screws
- completely removable
- ABS caps included

EXTRAS

- Configurations for H 1100:
 2. Footrest full or lined in mesh
 3. Object holder full or lined in mesh
 4. Carabiner hook hang bags

HOPE PLUS /A CONFIGURATION



* see "[Warranty, cleaning and maintenance of the products, use and placement of the products](#)"