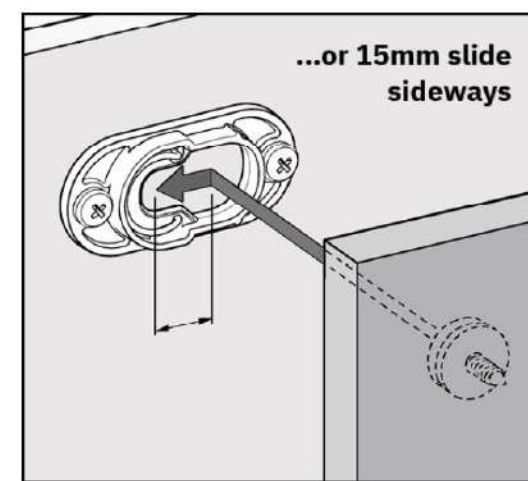
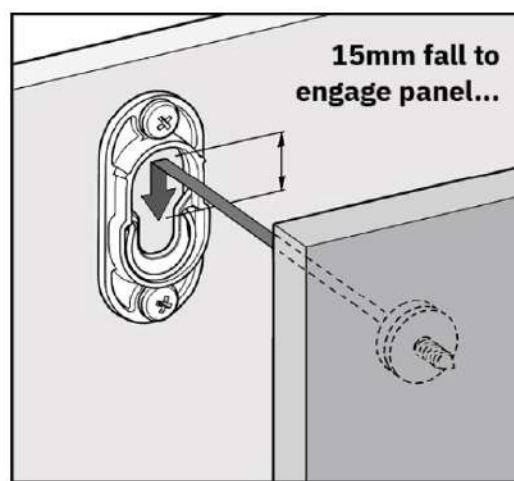
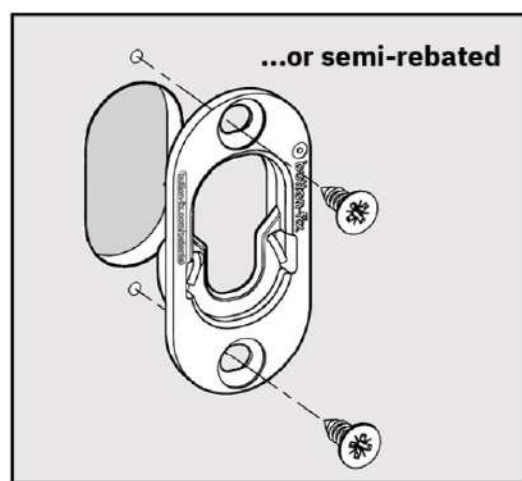
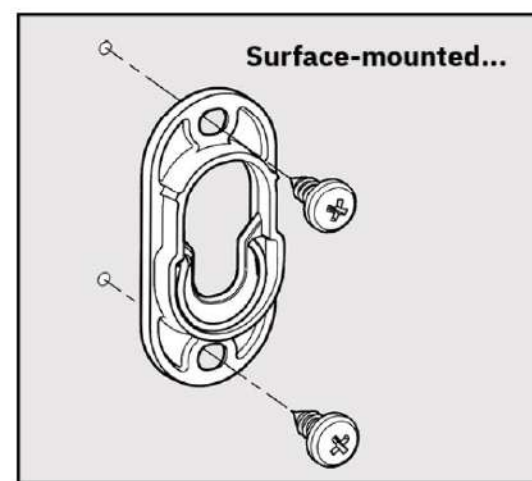


Instructions for Button-fix Type 1 Metal



The Type 1 Metal Fix can be surface-mounted, creating an 8mm gap between the panels, or semi-rebated to reduce the gap to 3mm. Engage the Buttons in the Fix and slide the panel down by 15mm, until Button-fix goes 'click'. The Type 1 Metal Button-fix can be configured for sideways assembly too.