

BASIC LINE

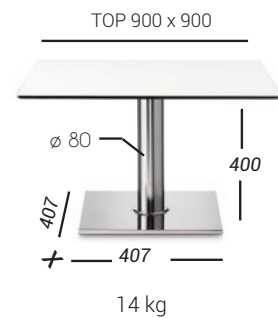
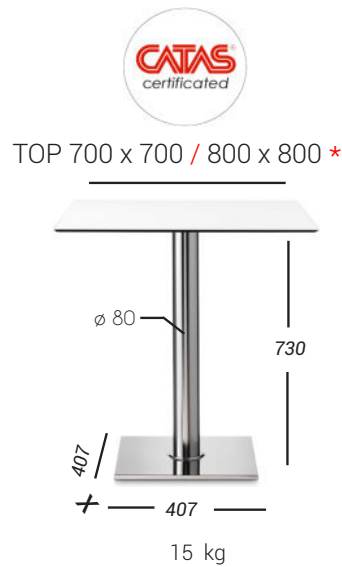
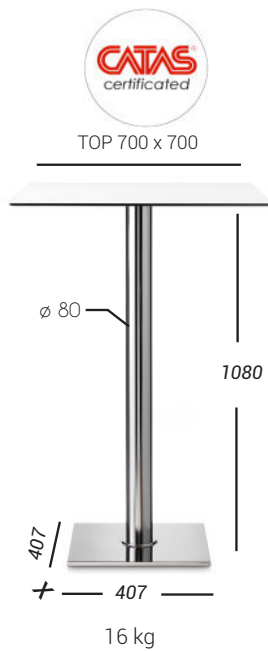
400 BASE

Stainless steel base composed of square cast iron ballast, stainless steel cover, stainless steel column in round sections, "star" cross in die-cast aluminum or dial in aluminum for glass tops.

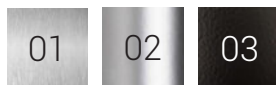


STANDARD HEIGHTS

dimensions in millimeters

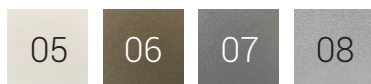


Standard finishes



01. Satin Inox,
02. Shiny Chrome,
03. Orange Peel Effect Black

Special finishes



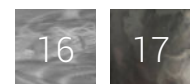
05. Wrinkle White,
06. Wrinkle Cappuccino,
07. Wrinkle Grey,
08. Orange Peel Aluminum

Industrial paintings



09. Corten, 10. Rust,
11. Graphite Grey, 12. Coal Black,
13. Gunmetal, 14. Burnished Steel

Brushings



16. Industrial Brushed Galvanized,
17. Industrial Brushed Burnished Steel

* see ["Warranty, cleaning and maintenance of the products, use and placement of the products"](#)

N.B: top measurements are indicative or recommended by PF STILE
N.B: the industrial finishes are made with artisan procedures and there can be variations in color from production to production

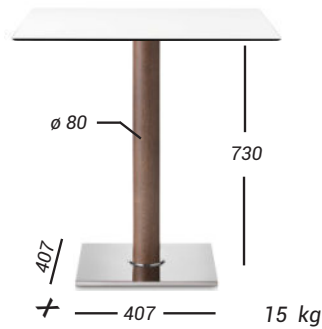


Standard wood finishes



01. Natural, 02. Coffe Brown,
03. Nutmeg

TOP 700 x 700 / 800 x 800 *



Special PF wood finishes



04. White Alabaster,
05. Rock Gray

THECNICAL FEATURES

- Painted ballest in cast iron
- Stainless steel cover, steel chrome or painted steel
- Stainless steel column, steel chrome or painted steel
- "Star" cross in die-cast aluminium
- Aluminium plate for glass tops
- 4 PE caps

EXTRAS

- Adjustable feet on request
- Painting in any RAL color
- Exterior outdoor finishing *
- Transparent polyester coating, anti-fingerprint and matt effect
- Single base cardboard packaging

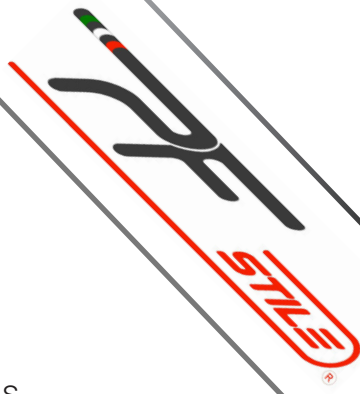
* see "[Warranty, cleaning and maintenance of the products, use and placement of the products](#)"

N.B: top measurements are indicative or recommended by PF STILE
N.B: the woods may undergo variations of tone from production to production

BASIC LINE

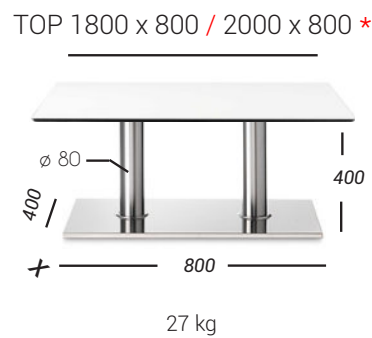
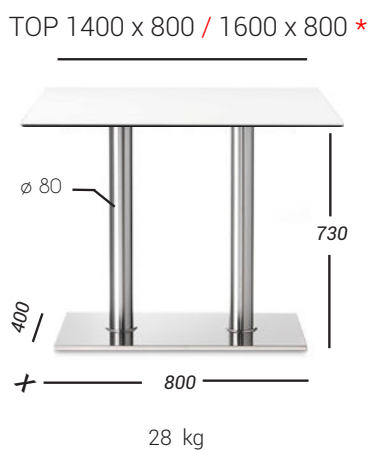
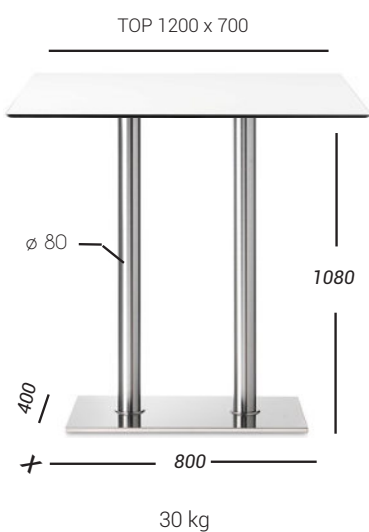
405 BASE

Stainless steel base composed of rectangular cast iron ballast, stainless steel cover, stainless steel columns in round sections, "star" cross in die-cast aluminum or dial in aluminum for glass tops.

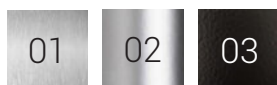


STANDARD HEIGHTS

dimensions in millimeters

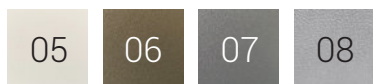


Standard finishes



01. Satin Inox,
02. Shiny Chrome,
03. Orange Peel Effect Black

Special finishes



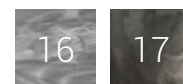
05. Wrinkle White,
06. Wrinkle Cappuccino,
07. Wrinkle Grey,
08. Orange Peel Aluminum

Industrial paintings



09. Corten, 10. Rust,
11. Graphite Grey, 12. Coal Black,
13. Gunmetal, 14. Burnished Steel

Brushings



16. Industrial Brushed Galvanized,
17. Industrial Brushed Burnished Steel

* see ["Warranty, cleaning and maintenance of the products, use and placement of the products"](#)

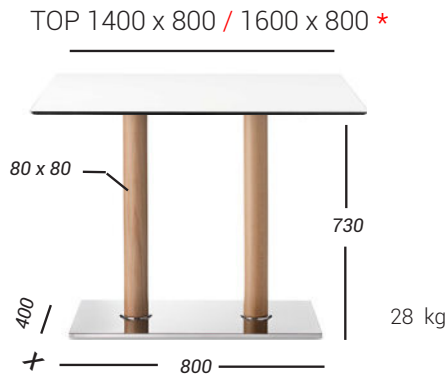
N.B: top measurements are indicative or recommended by PF STILE
N.B: the industrial finishes are made with artisan procedures and there can be variations in color from production to production

SOLID BEECH WOOD TUBES FOR 730 MM HIGH BASE

Standard wood finishes



01. Natural, 02. Coffe Brown,
03. Nutmeg



Special PF wood finishes



04. White Alabaster,
05. Rock Gray

THECNICAL FEATURES

- Painted ballest in cast iron
- Stainless steel cover, steel chrome or painted steel
- Stainless steel columns, steel chrome or painted steel
- "Star" cross in die-cast aluminium
- Aluminium plate for glass tops
- 4 PE caps

EXTRAS

- Adjustable feet on request
- Painting in any RAL color
- Exterior outdoor finishing *
- Transparent polyester coating, anti-fingerprint and matt effect
- Single base cardboard packaging

* see "[Warranty, cleaning and maintenance of the products, use and placement of the products](#)"

N.B: top measurements are indicative or recommended by PF STILE
N.B: the woods may undergo variations of tone from production to production

BASIC LINE

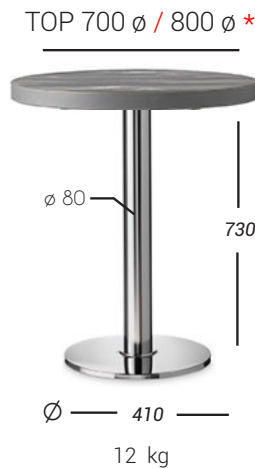
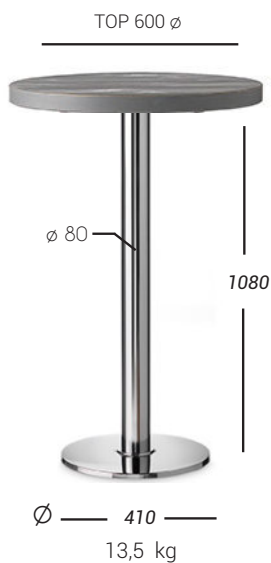
430 BASE

Stainless steel base composed of round cast iron ballast, stainless steel cover, stainless steel column in round sections, "star" cross in die-cast aluminum or dial in aluminum for glass tops.

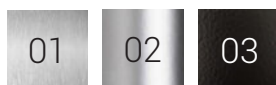


STANDARD HEIGHTS

dimensions in millimeters

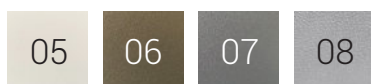


Standard finishes



- 01. Satin Inox,
- 02. Shiny Chrome,
- 03. Orange Peel Effect Black

Special finishes



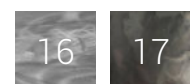
- 05. Wrinkle White,
- 06. Wrinkle Cappuccino,
- 07. Wrinkle Grey,
- 08. Orange Peel Aluminum

Industrial paintings



- 09. Corten, 10. Rust,
- 11. Graphite Grey, 12. Coal Black,
- 13. Gunmetal, 14. Burnished Steel

Brushings



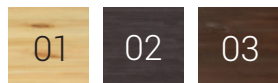
- 16. Industrial Brushed Galvanized,
- 17. Industrial Brushed Burnished Steel

* see ["Warranty, cleaning and maintenance of the products, use and placement of the products"](#)

N.B: top measurements are indicative or recommended by PF STILE
N.B: the industrial finishes are made with artisan procedures and there can be variations in color from production to production

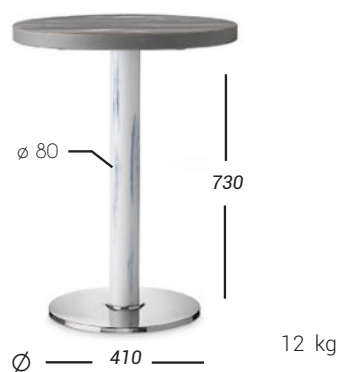
SOLID BEECH WOOD TUBE FOR 730 MM HIGH BASE

Standard wood finishes



01. Natural, 02. Coffe Brown,
03. Nutmeg

TOP 700 \varnothing / 800 \varnothing *



Special PF wood finishes



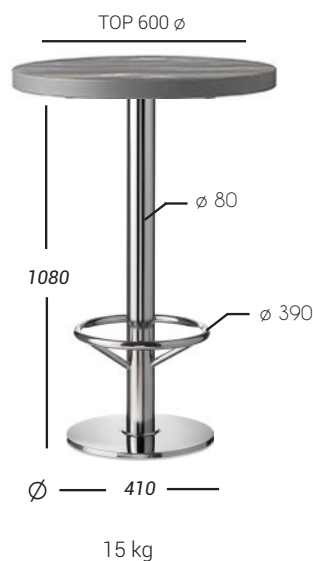
04. White Alabaster,
05. Rock Gray

THECNICAL FEATURES

- Painted ballest in cast iron
- Stainless steel cover, steel chrome or painted steel
- Stainless steel column, steel chrome or painted steel
- "Star" cross in die-cast aluminium
- Aluminium plate for glass tops
- 4 PE caps

EXTRAS

- Adjustable feet on request
- Painting in any RAL color
- Exterior outdoor finishing *
- Transparent polyester coating, anti-fingerprint and matt effect
- Single base cardboard packaging
- DREAM FOOTREST FOR BASE H 1080



* see ["Warranty, cleaning and maintenance of the products, use and placement of the products"](#)

N.B: top measurements are indicative or recommended by PF STILE
N.B: the woods may undergo variations of tone from production to production

BASIC LINE

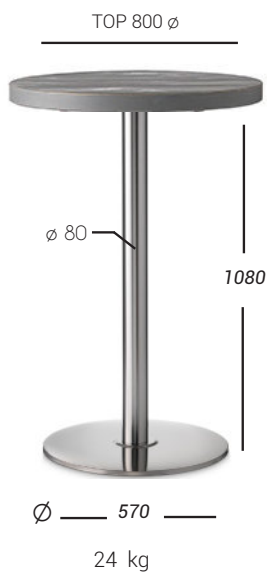
431 BASE

Stainless steel base composed of round cast iron ballast, stainless steel cover, stainless steel column in round sections, "star" cross in die-cast aluminum or dial in aluminum for glass tops.

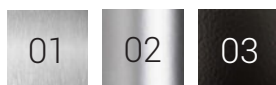


STANDARD HEIGHTS

dimensions in millimeters

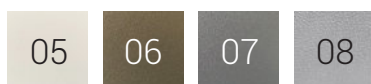


Standard finishes



01. Satin Inox,
02. Shiny Chrome,
03. Orange Peel Effect Black

Special finishes



05. Wrinkle White,
06. Wrinkle Cappuccino,
07. Wrinkle Grey,
08. Orange Peel Aluminum

Industrial paintings



09. Corten, 10. Rust,
11. Graphite Grey, 12. Coal Black,
13. Gunmetal, 14. Burnished Steel

Brushings



16. Industrial Brushed Galvanized,
17. Industrial Brushed Burnished Steel

* see ["Warranty, cleaning and maintenance of the products, use and placement of the products"](#)

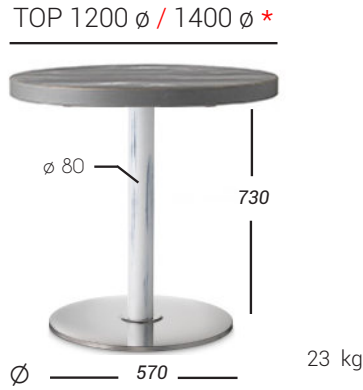
N.B: top measurements are indicative or recommended by PF STILE
N.B: the industrial finishes are made with artisan procedures and there can be variations in color from production to production

SOLID BEECH WOOD TUBE FOR 730 MM HIGH BASE

Standard wood finishes



01. Natural, 02. Coffe Brown,
03. Nutmeg



Special PF wood finishes



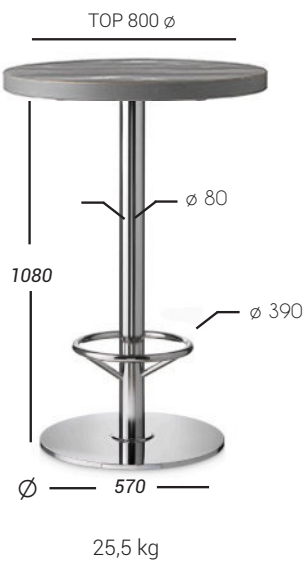
04. White Alabaster,
05. Rock Gray

TECHNICAL FEATURES

- Painted balrest in cast iron
- Stainless steel cover, steel chrome or painted steel
- Stainless steel column, steel chrome or painted steel
- "Star" cross in die-cast aluminium
- Aluminium plate for glass tops
- 4 PE caps

EXTRAS

- Adjustable feet on request
 - Painting in any RAL color
 - Exterior outdoor finishing *
 - Transparent polyester coating, anti-fingerprint and matt effect
 - Single base cardboard packaging
- DREAM FOOTREST FOR BASE H 1080 MM



* see ["Warranty, cleaning and maintenance of the products, use and placement of the products"](#)

N.B: top measurements are indicative or recommended by PF STILE
N.B: the woods may undergo variations of tone from production to production