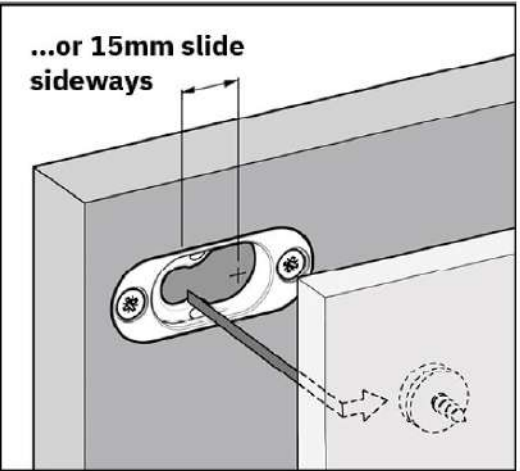
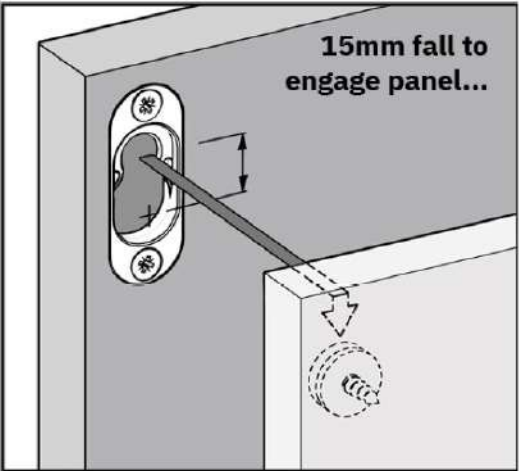
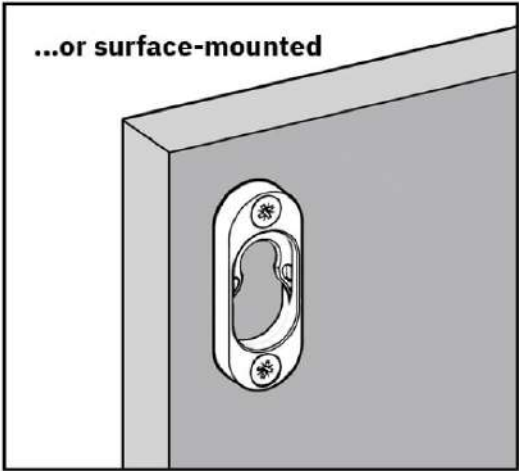
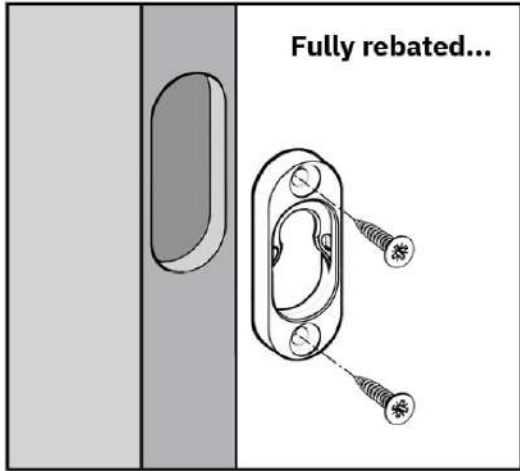


Instructions for Button-fix Type 1 Flush



The Type 1 Flush Fix fits an oval rebate measuring 22 x 56 x 8.1mm deep. It can also be used surface-mounted, creating an 8mm gap between the panels. Engage the Buttons in the Fix and slide the panel down by 15mm, until Button-fix goes 'click'. The Type 1 Flush Button-fix can be configured for sideways assembly too.