

Piani UP-grade, T-flex e Team Tables - melaminico | UP-grade, T-flex e Team Tables - MFC worktops | Plateaux UP-grade, T-flex e Team Tables - mélamine

N3BD Bianco Dance White Dance Blanc Dance	N2GN Grigio Nuvola Cloud Grey Nuage Gris	N2AN Acero Nordic Nordic Maple Érable Nordic	N3RT Rovere Twist Durmast Twist Chêne Twist	N2NO Noce Walnut Noyer
N3RV Rovere Oak Chêne	N3NA Noce Napoli Walnut Napoli Noyer Napoli	N2GF Grigio Fango Mud Grey Gris Boue	N3NJ Nero Jazz Black Jazz Noir Jazz	

Strutture UP-grade, T-flex e Team Tables - metallo | UP-grade, T-flex e Team Tables - Metal structures | Structures UP-grade, T-flex e Team Tables - mélamine

M2BD Bianco Dance White Dance Blanc Dance	M2AG Alluminio Goffrato Embossed Metal Alu Aluminium Gauffré	M3CF Cromo Funky Chrome Funky Chrome Funky
--	---	---

Solo per TEAM TABLES
Only for TEAM TABLES
Uniquement pour TEAM TABLES

Paretine divisorie - melaminico | Partition screens - MFC | Cloisons - mélamine

N3BD Bianco Dance White Dance Blanc Dance	N2GN Grigio Nuvola Cloud Grey Nuage Gris	N2AN Acero Nordic Nordic Maple Érable Nordic	N3RT Rovere Twist Durmast Twist Chêne Twist	N2NO Noce Walnut Noyer
N3RV Rovere Oak Chêne	N3NA Noce Napoli Walnut Napoli Noyer Napoli	N2GF Grigio Fango Mud Grey Gris Boue	N3NJ Nero Jazz Black Jazz Noir Jazz	

Struttura | Structure | Structure

M2AG Alluminio Goffrato Embossed Metal Alu Aluminium Gauffré

Piani Call Center - melaminico | Call Center - MFC worktops | Plateaux Call Center - mélamine

N3BD Bianco Dance White Dance Blanc Dance	N2GN Grigio Nuvola Cloud Grey Nuage Gris	N2AN Acero Nordic Nordic Maple Érable Nordic	N3RT Rovere Twist Durmast Twist Chêne Twist	N2NO Noce Walnut Noyer	N2GN Grigio Nuvola Cloud Grey Nuage Gris
N3RV Rovere Oak Chêne	N3NA Noce Napoli Walnut Napoli Noyer Napoli	N2GF Grigio Fango Mud Grey Gris Boue	N3NJ Nero Jazz Black Jazz Noir Jazz		

Struttura | Structure | Structure

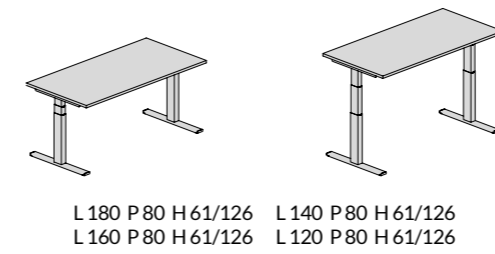
Struttura Lockers - melaminico | Lockers - MFC structures | Structures Lockers - mélamine

N3BD Bianco Dance White Dance Blanc Dance	N2GN Grigio Nuvola Cloud Grey Nuage Gris	N3NJ Nero Jazz Black Jazz Noir Jazz
--	---	--

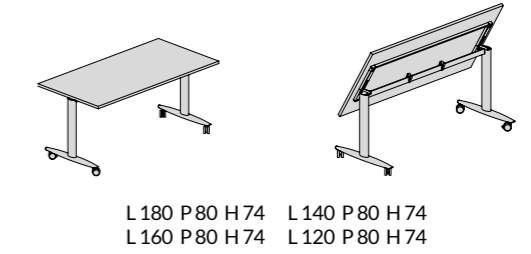
Ante, top e fianchi Lockers - melaminico | Lockers doors, finishing tops and side panels - MFC | Portes, tops et côtes de finition Lockers - mélamine

N3BD Bianco Dance White Dance Blanc Dance	N2GN Grigio Nuvola Cloud Grey Nuage Gris	N2AN Acero Nordic Nordic Maple Érable Nordic	N3RT Rovere Twist Durmast Twist Chêne Twist	N2NO Noce Walnut Noyer	N3RV Rovere Oak Chêne
N3NA Noce Napoli Walnut Napoli Noyer Napoli	N2GF Grigio Fango Mud Grey Gris Boue	N3NJ Nero Jazz Black Jazz Noir Jazz	N2VP Verde Pistacchio Pistachio Green Vert Pistache	N2AA Azzurro Artico Arctic Blue Arctic Blue	

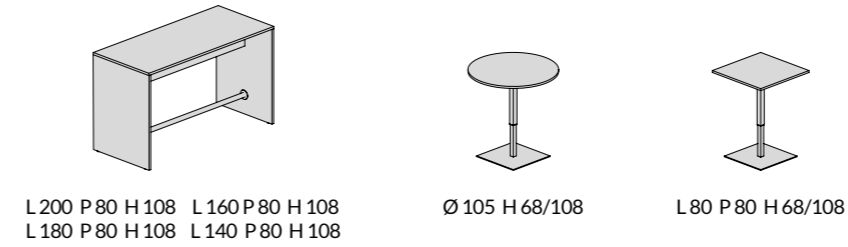
UP-grade | UP-grade | UP-grade



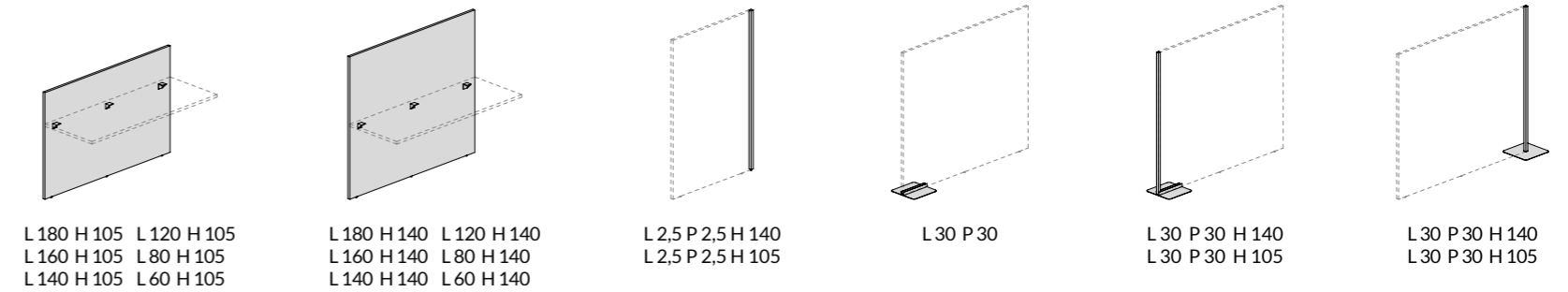
T-flex | T-flex | T-flex



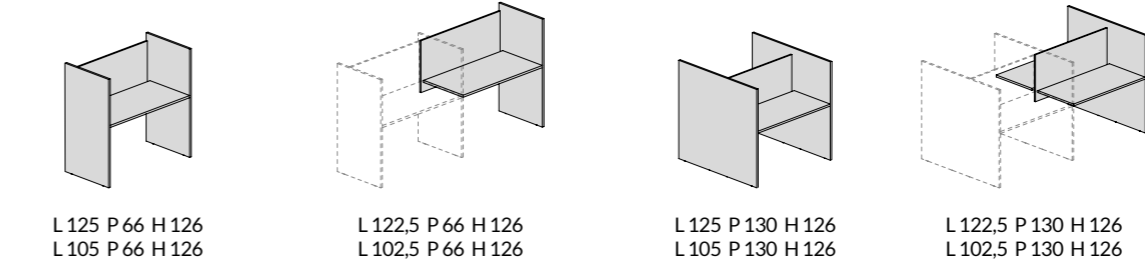
Team Tables | Team Tables | Team Tables



Paretine divisorie | Partition screens | Cloisons



Call Center | Call Center | Call Center



Lockers | Lockers | Lockers

