

**Piani UP-grade, T-flex e Team Tables - melaminico** | UP-grade, T-flex e Team Tables - MFC worktops | Plateaux UP-grade, T-flex e Team Tables - mélamine

<b>N3BD</b> Bianco Dance White Dance Blanc Dance	<b>N2GN</b> Grigio Nuvola Cloud Grey Nuage Gris	<b>N2AN</b> Acero Nordic Nordic Maple Érable Nordic	<b>N3RT</b> Rovere Twist Durmast Twist Chêne Twist	<b>N2NO</b> Noce Walnut Noyer
<b>N3RV</b> Rovere Oak Chêne	<b>N3NA</b> Noce Napoli Walnut Napoli Noyer Napoli	<b>N2GF</b> Grigio Fango Mud Grey Gris Boue	<b>N3NJ</b> Nero Jazz Black Jazz Noir Jazz	

**Strutture UP-grade, T-flex e Team Tables - metallo** | UP-grade, T-flex e Team Tables - Metal structures | Structures UP-grade, T-flex e Team Tables - mélamine

<b>M2BD</b> Bianco Dance White Dance Blanc Dance	<b>M2AG</b> Alluminio Goffrato Embossed Metal Alu Aluminium Gauffré	<b>M3CF</b> Cromo Funky Chrome Funky Chrome Funky
--	---	---

Solo per TEAM TABLES  
Only for TEAM TABLES  
Uniquement pour TEAM TABLES

**Paretine divisorie - melaminico** | Partition screens - MFC | Cloisons - mélamine

<b>N3BD</b> Bianco Dance White Dance Blanc Dance	<b>N2GN</b> Grigio Nuvola Cloud Grey Nuage Gris	<b>N2AN</b> Acero Nordic Nordic Maple Érable Nordic	<b>N3RT</b> Rovere Twist Durmast Twist Chêne Twist	<b>N2NO</b> Noce Walnut Noyer
<b>N3RV</b> Rovere Oak Chêne	<b>N3NA</b> Noce Napoli Walnut Napoli Noyer Napoli	<b>N2GF</b> Grigio Fango Mud Grey Gris Boue	<b>N3NJ</b> Nero Jazz Black Jazz Noir Jazz	

**Struttura** | Structure | Structure

<b>M2AG</b> Alluminio Goffrato Embossed Metal Alu Aluminium Gauffré
---

**Piani Call Center - melaminico** | Call Center - MFC worktops | Plateaux Call Center - mélamine

<b>N3BD</b> Bianco Dance White Dance Blanc Dance	<b>N2GN</b> Grigio Nuvola Cloud Grey Nuage Gris	<b>N2AN</b> Acero Nordic Nordic Maple Érable Nordic	<b>N3RT</b> Rovere Twist Durmast Twist Chêne Twist	<b>N2NO</b> Noce Walnut Noyer	<b>N2GN</b> Grigio Nuvola Cloud Grey Nuage Gris
<b>N3RV</b> Rovere Oak Chêne	<b>N3NA</b> Noce Napoli Walnut Napoli Noyer Napoli	<b>N2GF</b> Grigio Fango Mud Grey Gris Boue	<b>N3NJ</b> Nero Jazz Black Jazz Noir Jazz		

**Struttura** | Structure | Structure

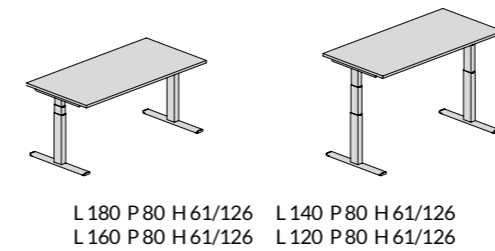
**Struttura Lockers - melaminico** | Lockers - MFC structures | Structures Lockers - mélamine

<b>N3BD</b> Bianco Dance White Dance Blanc Dance	<b>N2GN</b> Grigio Nuvola Cloud Grey Nuage Gris	<b>N3NJ</b> Nero Jazz Black Jazz Noir Jazz
--	---	--

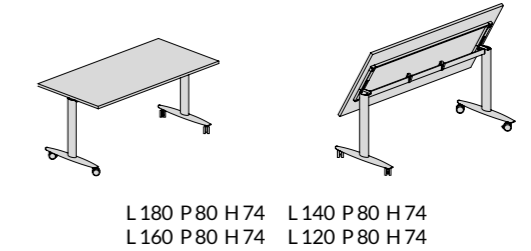
**Ante, top e fianchi Lockers - melaminico** | Lockers doors, finishing tops and side panels - MFC | Portes, tops et côtes de finition Lockers - mélamine

<b>N3BD</b> Bianco Dance White Dance Blanc Dance	<b>N2GN</b> Grigio Nuvola Cloud Grey Nuage Gris	<b>N2AN</b> Acero Nordic Nordic Maple Érable Nordic	<b>N3RT</b> Rovere Twist Durmast Twist Chêne Twist	<b>N2NO</b> Noce Walnut Noyer	<b>N3RV</b> Rovere Oak Chêne
<b>N3NA</b> Noce Napoli Walnut Napoli Noyer Napoli	<b>N2GF</b> Grigio Fango Mud Grey Gris Boue	<b>N3NJ</b> Nero Jazz Black Jazz Noir Jazz	<b>N2VP</b> Verde Pistacchio Pistachio Green Vert Pistache	<b>N2AA</b> Azzurro Artico Arctic Blue Arctic Blue	

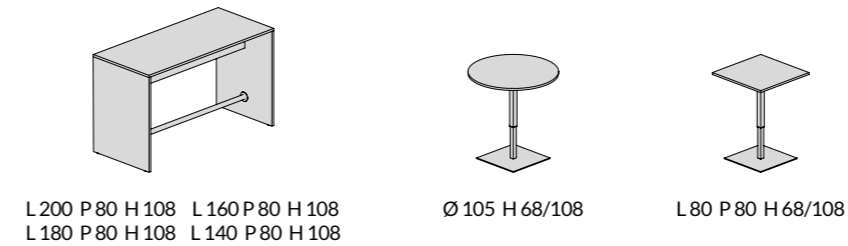
**UP-grade** | UP-grade | UP-grade



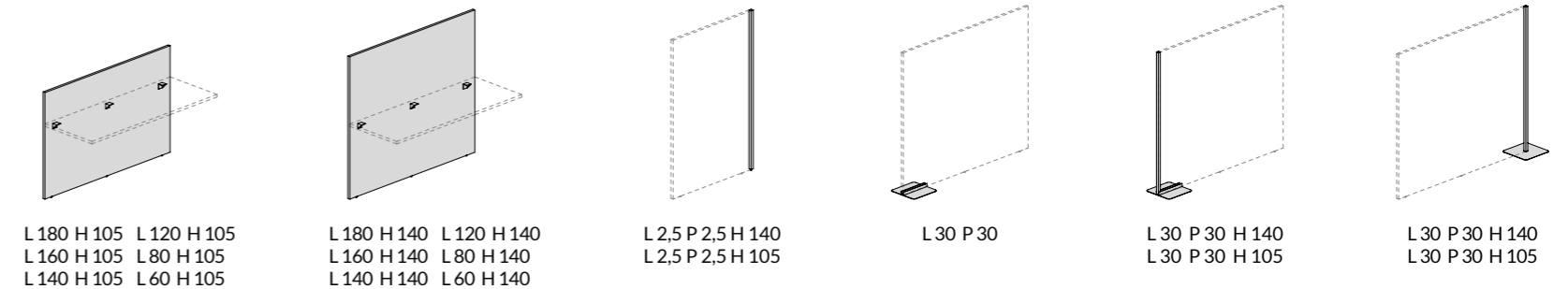
**T-flex** | T-flex | T-flex



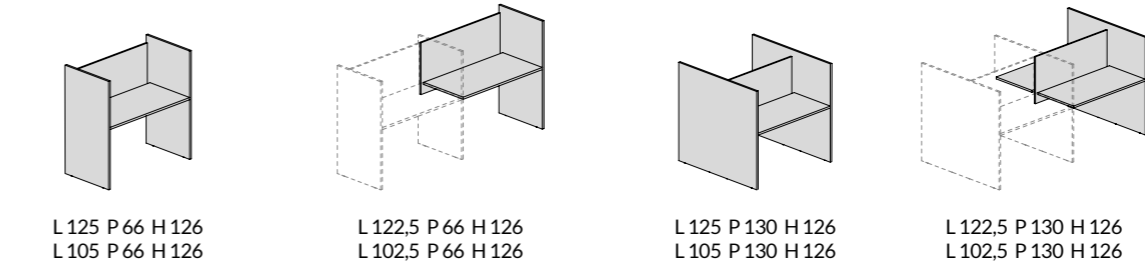
**Team Tables** | Team Tables | Team Tables



**Paretine divisorie** | Partition screens | Cloisons



**Call Center** | Call Center | Call Center



**Lockers** | Lockers | Lockers

