

CLEAR LINE

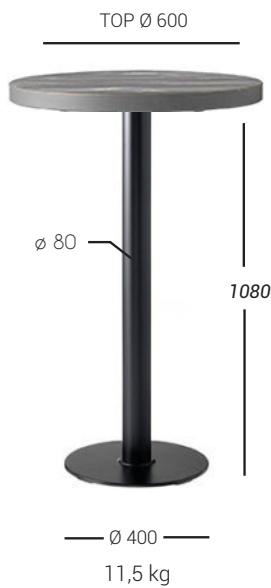
# 109 BASE

Cast iron base composed of round ballast, column in round sections, "star" cross in die-cast aluminum or dial in aluminum for glass tops.



## STANDARD HEIGHTS

dimensions in millimeters



### Standard finishes



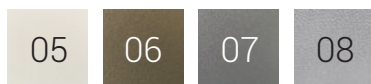
03. Orange Peel Effect Black

### Industrial paintings



09. Corten, 10. Rust, 11. Graphite Grey, 12. Coal Black, 13. Gunmetal, 14. Burnished Steel

### Special finishes



05. Wrinkle White,  
06. Wrinkle Cappuccino,  
07. Wrinkle Grey,  
08. Orange Peel Aluminum

\* see ["Warranty, cleaning and maintenance of the products, use and placement of the products"](#)

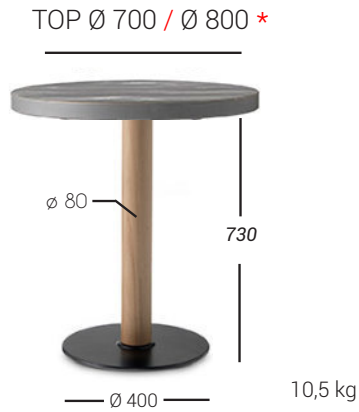
N.B: top measurements are indicative or recommended by PF STILE  
N.B: the industrial finishes are made with artisan procedures and there can be variations in color from production to production

## SOLID BEECH WOOD TUBE FOR 730 MM HIGH BASE

### Standard wood finishes



01. Natural, 02. Coffe Brown,  
03. Nutmeg



### Special PF wood finishes



04. White Alabaster,  
05. Rock Gray

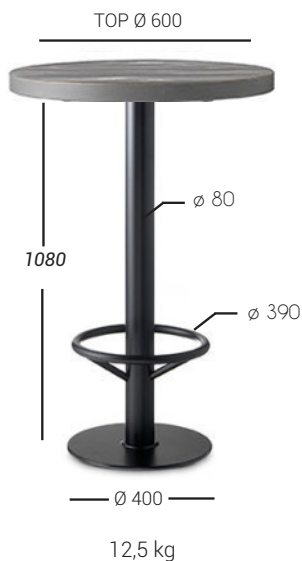
## TECHNICAL FEATURES

- Fusion ballast of cast iron painted with epoxy dust
- Column of painted steel with epoxy dust
- "Star" cross in die-cast aluminium
- Aluminium plate for glass tops
- 4 PE caps

## EXTRAS

- Adjustable feet on request
- Painting in any RAL color
- Exterior outdoor finishing \*
- Transparent polyester coating, anti-fingerprint and matt effect
- Single base cardboard packaging

- DREAM FOOTREST FOR BASE H 1080 MM



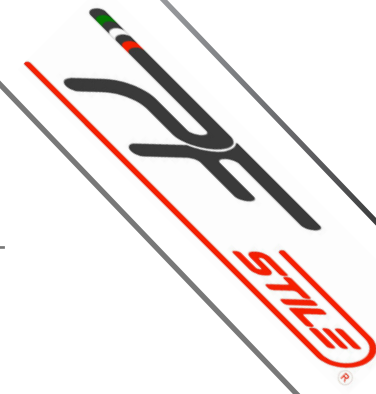
\* see "[Warranty, cleaning and maintenance of the products, use and placement of the products](#)"

N.B: top measurements are indicative or recommended by PF STILE  
N.B: the woods may undergo variations of tone from production to production

CLEAR LINE

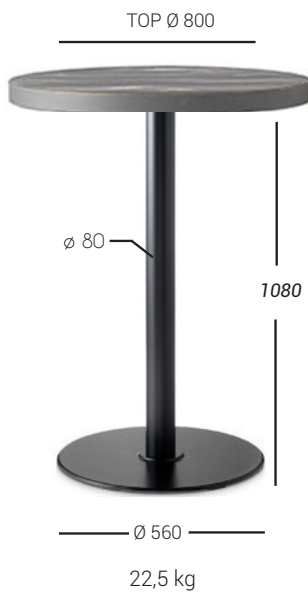
# III BASE

Cast iron base composed of round ballast, column in round sections, "star" cross in die-cast aluminum or dial in aluminum for glass tops.



## STANDARD HEIGHTS

dimensions in millimeters



### Standard finishes



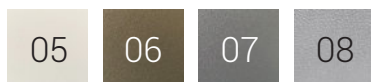
03. Orange Peel Effect Black

### Industrial paintings



09. Corten, 10. Rust, 11. Graphite Grey, 12. Coal Black, 13. Gunmetal, 14. Burnished Steel

### Special finishes



05. Wrinkle White, 06. Wrinkle Cappuccino, 07. Wrinkle Grey, 08. Orange Peel Aluminum

\* see ["Warranty, cleaning and maintenance of the products, use and placement of the products"](#)

N.B: top measurements are indicative or recommended by PF STILE  
N.B: the industrial finishes are made with artisan procedures and there can be variations in color from production to production

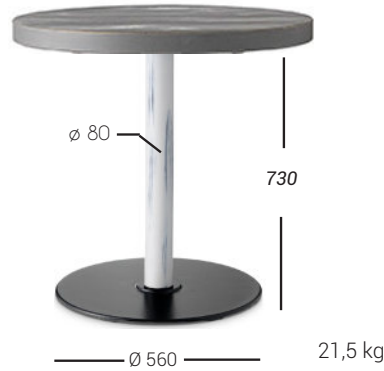
## SOLID BEECH WOOD TUBE FOR 730 MM HIGH BASE

TOP Ø 1200 / Ø 1400 \*

### Standard wood finishes



01. Natural, 02. Coffe Brown,  
03. Nutmeg



### Special PF wood finishes



04. White Alabaster,  
05. Rock Gray

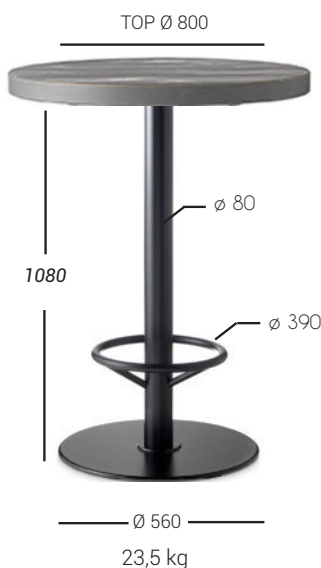
## TECHNICAL FEATURES

- Fusion ballast of cast iron painted with epoxy dust
- Column of painted steel with epoxy dust
- "Star" cross in die-cast aluminium
- Aluminium plate for glass tops
- 4 PE caps

## EXTRAS

- Adjustable feet on request
- Painting in any RAL color
- Exterior outdoor finishing \*
- Transparent polyester coating, anti-fingerprint and matt effect
- Single base cardboard packaging

- DREAM FOOTREST FOR BASE H 1080 MM



\* see "[Warranty, cleaning and maintenance of the products, use and placement of the products](#)"

N.B: top measurements are indicative or recommended by PF STILE  
N.B: the woods may undergo variations of tone from production to production

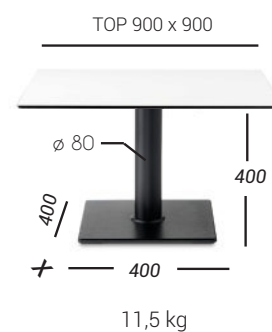
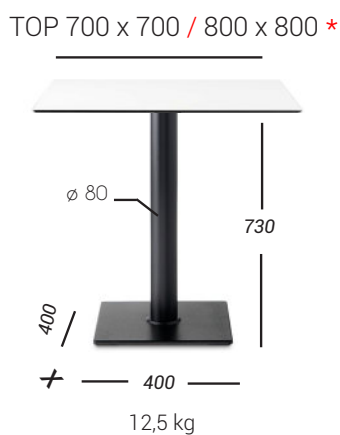
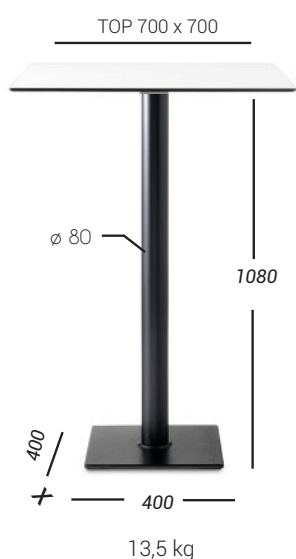
# CLEAR LINE

## 110 BASE

Cast iron base composed of square ballast, column in round sections, "star" cross in die-cast aluminum or dial in aluminum for glass tops.

### STANDARD HEIGHTS

dimensions in millimeters



#### Standard finishes



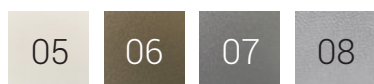
03. Orange Peel Effect Black

#### Industrial paintings



09. Corten, 10. Rust,  
11. Graphite Grey, 12. Coal Black,  
13. Gunmetal, 14. Burnished Steel

#### Special finishes



05. Wrinkle White,  
06. Wrinkle Cappuccino,  
07. Wrinkle Grey,  
08. Orange Peel Aluminum

\* see ["Warranty, cleaning and maintenance of the products, use and placement of the products"](#)

N.B: top measurements are indicative or recommended by PF STILE  
N.B: the industrial finishes are made with artisan procedures and there can be variations in color from production to production

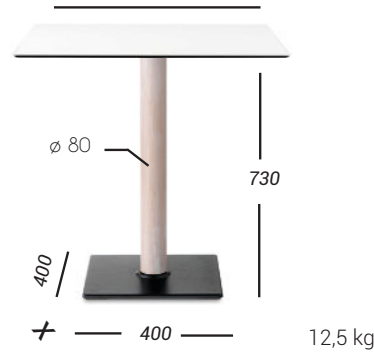
## SOLID BEECH WOOD TUBE FOR 730 MM HIGH BASE

TOP 700 x 700 / 800 x 800 \*

### Standard wood finishes



01. Natural, 02. Coffe Brown,  
03. Nutmeg



### Special PF wood finishes



04. White Alabaster,  
05. Rock Gray

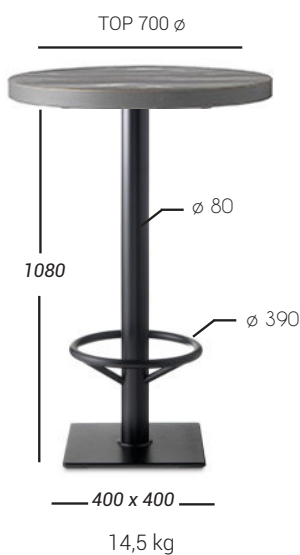
## TECHNICAL FEATURES

- Fusion ballast of cast iron painted with epoxy dust
- Column of painted steel with epoxy dust
- "Star" cross in die-cast aluminium
- Aluminium plate for glass tops
- 4 PE caps

## EXTRAS

- Adjustable feet on request
- Painting in any RAL color
- Exterior outdoor finishing \*
- Transparent polyester coating, anti-fingerprint and matt effect
- Single base cardboard packaging

- DREAM FOOTREST FOR BASE H 1080 MM



\* see "[Warranty, cleaning and maintenance of the products, use and placement of the products](#)"

N.B: top measurements are indicative or recommended by PF STILE  
N.B: the woods may undergo variations of tone from production to production

CLEAR LINE

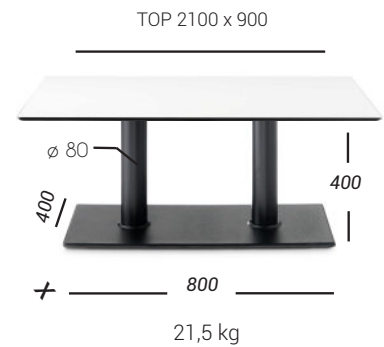
# 105 BASE

Cast iron base composed of rectangular ballast, columns in round sections, "star" cross in die-cast aluminum or dial in aluminum for glass tops.



## STANDARD HEIGHTS

dimensions in millimeters



### Standard finishes



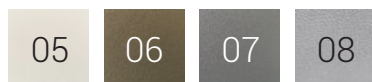
03. Orange Peel Effect Black

### Industrial paintings



09. Corten, 10. Rust, 11. Graphite Grey, 12. Coal Black, 13. Gunmetal, 14. Burnished Steel

### Special finishes



05. Wrinkle White, 06. Wrinkle Cappuccino, 07. Wrinkle Grey, 08. Orange Peel Aluminum

\* see ["Warranty, cleaning and maintenance of the products, use and placement of the products"](#)

N.B: top measurements are indicative or recommended by PF STILE  
N.B: the industrial finishes are made with artisan procedures and there can be variations in color from production to production

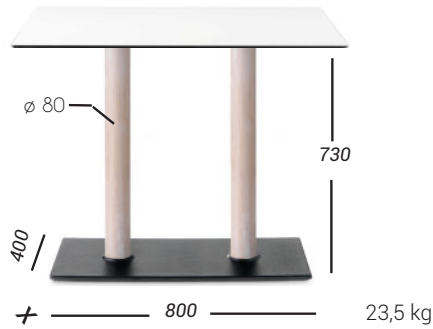
## SOLID BEECH WOOD TUBES FOR 730 MM HIGH BASE

TOP 1400 x 800 / 1600 x 800 \*

### Standard wood finishes



01. Natural, 02. Coffe Brown,  
03. Nutmeg



### Special PF wood finishes



04. White Alabaster,  
05. Rock Gray

## TECHNICAL FEATURES

- Fusion ballast of cast iron painted with epoxy dust
- Columns of painted steel with epoxy dust
- "Star" cross in die-cast aluminium
- Aluminium plate for glass tops
- 4 PE caps

## EXTRAS

- Adjustable feet on request
- Painting in any RAL color
- Exterior outdoor finishing \*
- Transparent polyester coating, anti-fingerprint and matt effect
- Single base cardboard packaging

\* see "[Warranty, cleaning and maintenance of the products, use and placement of the products](#)"

N.B: top measurements are indicative or recommended by PF STILE  
N.B: the woods may undergo variations of tone from production to production