



120



COMPAT

The **COMPAT** container series is the ideal solution to any storage problems in the warehouse, workshop or on assembly lines. They allow you to have the contents always at hand and in full view, making them easily extractable.

These containers can be stacked stably and safely and the material is just as easily accessible even when they are one on top of the other.

BOTTOMS

IMICUBE

smooth bottom



ribbed bottom



bottom ribbed at 45° with crossbar



CROSSBAR



The largest containers are equipped with a frontal crossbar that helps prevent any deformation of the side walls due to large loads and to facilitate grip.

HANDLES



Lifting and transport are aided by convenient handles that allow for quick grip even with gloves.

SIDE REINFORCEMENT



Lateral reinforcement on the bottom allows the containers to be stacked safely even when fully loaded.

ACCESSORIES



The containers can be divided longitudinally and transversely for load units with multiple products inside them.

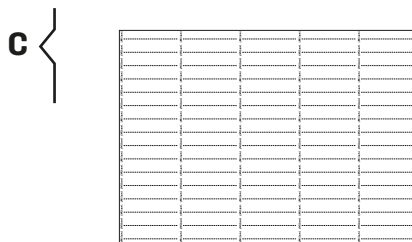
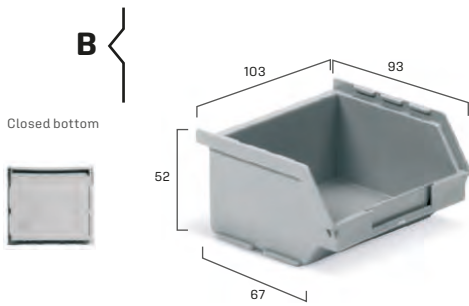
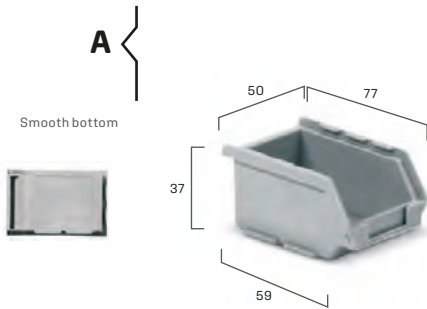


Practical transparent doors protect against dust.



Internal partition with removable boxes

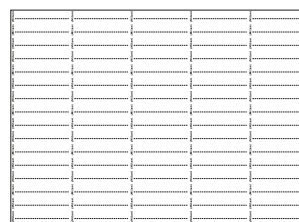
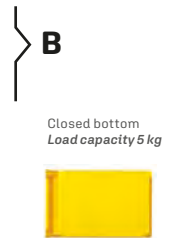
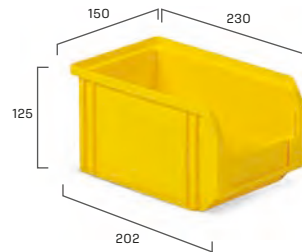
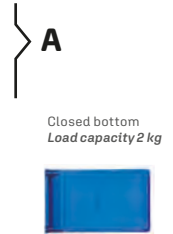
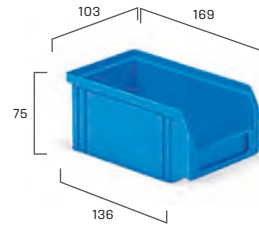
	ARTICLE	SMOOTH BOTTOM	SIZE 01	SIZE 0	GR.	PACKAGING		UNIT PRICE €
						Qty. per pack.	Qty. per pallet	
A	CO Z001 5101	■	■		18	100	-	
	CO Z001 5102	■	■		18	100	-	
	CO Z001 5103	■	■		18	100	-	
	CO Z001 5104	■	■		18	100	-	
	CO Z001 5105	■	■		18	100	-	
B	CO Z000 5101	■		■	38	98	-	
	CO Z000 5102	■		■	38	98	-	
	CO Z000 5103	■		■	38	98	-	
	CO Z000 5104	■		■	38	98	-	
	CO Z000 5105	■		■	38	98	-	
C	LB 4911 8001	■		■		1		



A	
Volume	0,08 L
Pieces per pack	100
Package dimensions	350 x 270 x 170 H mm
B	
Volume	0,25 L
Pieces per pack	98
Package dimensions	470 x 300 x 350 H mm
C	
Sheet of 80 labels for size 0	49 x 11 H mm

DATASHEET

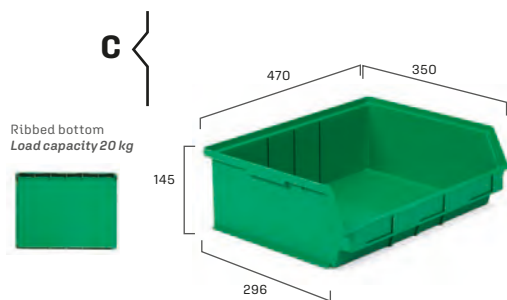
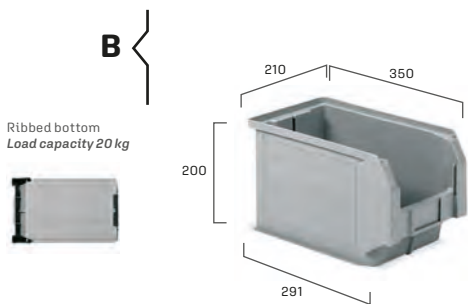
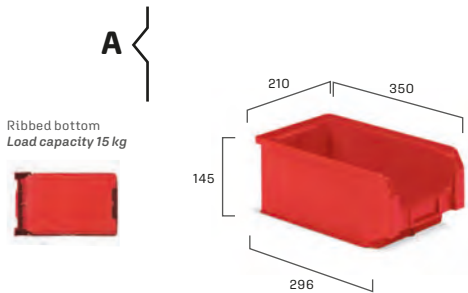
ARTICLE	SMOOTH BOTTOM	SIZE 1	SIZE 2	GR.	PACKAGING		UNIT PRICE €	
					Qty. per pack.	Qty. per pallet		
CO C001 5101	■	■			78	50 1750		♻️
CO C001 5102	■	■			78	50 1750		♻️
CO C001 5103	■	■			78	50 1750		♻️
A CO C001 5104	■	■			78	50 1750		♻️
CO C001 5105	■	■			78	50 1750		♻️
CO C001 5401	■	■			82	50 1750		♻️ ECOGREEN
CO C001 5207	■	■			87	50 1750		♻️
CO C002 5101	■		■		214	54 1080		♻️
CO C002 5102	■		■		214	54 1080		♻️
CO C002 5103	■		■		214	54 1080		♻️
B CO C002 5104	■		■		214	54 1080		♻️
CO C002 5105	■		■		214	54 1080		♻️
CO C002 5207	■		■		240	54 1080		♻️
CO C002 5401	■		■		224	54 1080		♻️ ECOGREEN
CO C1S2 5407		■			40	25 -		♻️ ECOGREEN
CO C1S2 5207		■			45	25 -		♻️
CO C2S2 5407			■		100	25 -		♻️ ECOGREEN
CO C2S2 5207			■		112	25 -		♻️
CO C1S4 5407		■			50	25 -		♻️ ECOGREEN
CO C1S4 5207		■			56	25 -		♻️
D CO C2S4 5407			■		120	25 -		♻️ ECOGREEN
CO C2S4 5207			■		134	25 -		♻️
E LB 7520 3601		■				1		
LB 10433 1601			■			1		



DATASHEET

A	
Volume	1 L
Pieces per pack / pallet	50 1750
Package dimensions	520 x 350 x 370 H mm
Pallet dimensions	1300 x 1100 x 2000 H mm
B	
Volume	3,8 L
Pieces per pack / pallet	54 1080
Package dimensions	720 x 460 x 500 H mm
Pallet dimensions	1450 x 1200 x 2100 H mm
C	
Divider 2 compartments for size 1	
Divider 2 compartments for size 2	
D	
Divider 4 compartments for size 1	
Divider 4 compartments for size 2	
E	
Sheet of 36 labels for size 1	75 x 20 H mm
Sheet of 16 labels for size 2	104 x 33 H mm

iMilani srl reserves the right to alter the characteristics of products without notice. The values shown are nominal, with a +/- 1% tolerance for size, depending on the material, and a +/- 3% for weight.



ARTICLE	RIBBED BOTTOM	SIZE 3A2	SIZE 3	SIZE 3L5	GR.	PACKAGING		UNIT PRICE €
						Qty. per pack.	Qty. per pallet	
CO C3A2 5101	■	■			598	21	252	
CO C3A2 5102	■	■			598	21	252	
CO C3A2 5103	■	■			598	21	252	
A CO C3A2 5104	■	■			598	21	252	
CO C3A2 5105	■	■			598	21	252	
ECOGREEN ✓ CO C3A2 5401	■	■			625	21	252	
CO C3A2 5207	■	■			670	21	252	
CO C003 5101	■		■		784	15	180	
CO C003 5102	■		■		784	15	180	
CO C003 5103	■		■		784	15	180	
B CO C003 5104	■		■		784	15	180	
CO C003 5105	■		■		784	15	180	
ECOGREEN ✓ CO C003 5401	■		■		819	15	180	
CO C003 5207	■		■		878	15	180	
CO Z3L5 5101	■			■	1074	14	112	
CO Z3L5 5102	■			■	1074	14	112	
C CO Z3L5 5103	■			■	1074	14	112	
CO Z3L5 5104	■			■	1074	14	112	
CO Z3L5 5105	■			■	1074	14	112	

A

Volume	9,4 L
Pieces per pack / pallet	📦 21 🚚 252
Package dimensions	360 x 640 x 980 H mm
Pallet dimensions	1300 x 1000 x 2000 H mm

B

Volume	12,5 L
Pieces per pack / pallet	📦 15 🚚 180
Package dimensions	360 x 640 x 980 H mm
Pallet dimensions	1300 x 1000 x 2000 H mm

C

Volume	19 L
Pieces per pack / pallet	📦 14 🚚 112
Package dimensions	710 x 960 x 480 H mm
Pallet dimensions	1450 x 1000 x 2100 H mm

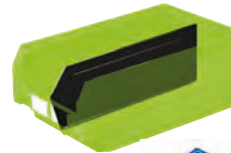
DATASHEET

iMilani srl reserves the right to alter the characteristics of products without notice. The values shown are nominal, with a +/- 1% tolerance for size, depending on the material, and a +/- 3% for weight.

	ARTICLE	SIZE 3A2	SIZE 3	SIZE 3L5	GR.	PACKAGING		UNIT PRICE €
						Qty. per pack.	Qty. per pallet	
A	CD C3A2 0099	■			200	1		
	CD C003 0099		■		300	1		
	CD Z3L5 0099			■	250	1		
B	CD C3A2 7107	■			108	10		
	CD C003 7107		■		160	10		
	CD Z3L5 7107			■	114	10		
C	CW C3A2 6896	■			28	10		
	CW C003 6896		■		40	10		
D	LH C000 0099	■	■		100	1		
E	LB 7731 1801	■		■		1		
	LB 7742 1201		■			1		



A



B



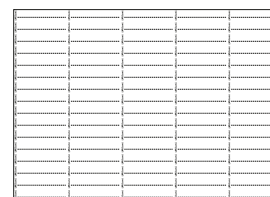
C



D



E



DATASHEET

A

Galvanised longit. divider size 3A2	302 x 105 H mm
Galvanised longit. divider size 3	307 x 160 H mm
Galvanised longit. divider size 3L5	326 x 115 H mm
Pieces per pack	📦 1

B

Plastic longit. divider size 3A2	300 x 105 H mm
Plastic longit. divider size 3	305 x 160 H mm
Plastic longit. divider size 3L5	325 x 105 H mm
Pieces per pack	📦 10

C

Dust cover size 3A2	
Dust cover size 3	
Pieces per pack	📦 10

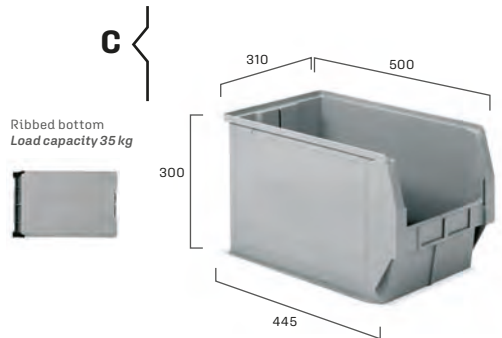
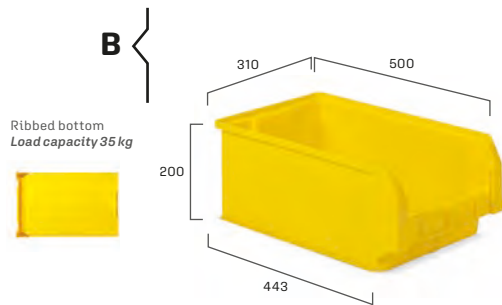
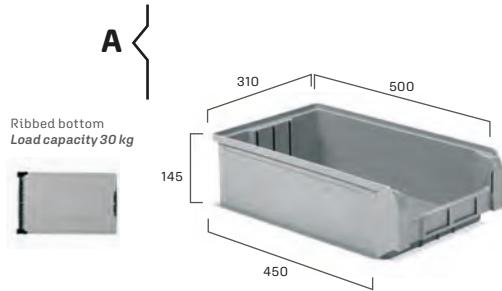
D

Inclined galvanised tag holder for size 3 - 3A2	100 x 67 mm
Pieces per pack	1

E

Sheet of 18 labels for size 3A2 - 3L5	77 x 31 mm
Sheet of 12 labels for size 3	77 x 42 mm
Pieces per pack	📦 1

iMilani srl reserves the right to alter the characteristics of products without notice. The values shown are nominal, with a +/- 1% tolerance for size, depending on the material, and a +/- 3% for weight.



ARTICLE	RIBBED BOTTOM	SIZE 4A2	SIZE 4	SIZE 4A5	GR.	PACKAGING		UNIT PRICE €
						Qty. per pack.	Qty. per pallet	
CO C4A2 5101	■	■			1222	14	112	
CO C4A2 5102	■	■			1222	14	112	
A CO C4A2 5103	■	■			1222	14	112	
CO C4A2 5104	■	■			1222	14	112	
CO C4A2 5105	■	■			1222	14	112	
CO C004 5101	■		■		1335	10	80	
CO C004 5102	■		■		1335	10	80	
CO C004 5103	■		■		1335	10	80	
B CO C004 5104	■		■		1335	10	80	
CO C004 5105	■		■		1335	10	80	
ECOGREEN CO C004 5401	■		■		1395	10	80	
CO C004 5207	■		■		1495	10	80	
CO C4A5 5101	■			■	1874	6	48	
CO C4A5 5102	■			■	1874	6	48	
C CO C4A5 5103	■			■	1874	6	48	
CO C4A5 5104	■			■	1874	6	48	
CO C4A5 5105	■			■	1874	6	48	

A

Volume	20 L
Pieces per pack / pallet	📦 14 🚚 112
Package dimensions	640 x 520 x 900 H mm
Pallet dimensions	1300 x 1000 x 2150 H mm

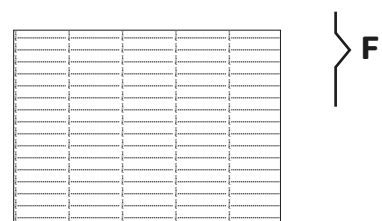
B

Volume	28 L
Pieces per pack / pallet	📦 10 🚚 80
Package dimensions	640 x 520 x 980 H mm
Pallet dimensions	1300 x 1000 x 2150 H mm

C

Volume	42 L
Pieces per pack / pallet	📦 6 🚚 48
Package dimensions	640 x 520 x 900 H mm
Pallet dimensions	1300 x 1000 x 2150 H mm

	ARTICLE	SIZE 4A2	SIZE 4	SIZE 4A5	GR.	PACKAGING		UNIT PRICE €
						Qty. per pack.	Qty. per pallet	
A	CD C4A2 0099	■			360	1		
	CD C004 0099		■		500	1		
	CD C4A5 0099			■	540	1		
B	CD C004 7107		■		236	10		
	CD C4A5 7107			■	390	10		
C	CD C004 0199		■		368	1		
D	CW C004 6896		■		66	10		
	CW C4A5 6896			■	92	10		
E	LH C000 0099		■	■	100	1		
F	LB 7731 1801	■				1		
	LB 7742 1201		■	■		1		



DATASHEET

A

Galvanised longit. divider size 4A2	457 x 120 H mm
Galvanised longit. divider size 4	426 x 160 H mm
Galvanised longit. divider size 4A5	460 x 249 H mm
Pieces per pack	☞ 1

B

Plastic longit. divider size 4	460 x 160 H mm
Plastic longit. divider size 4A5	460 x 250 H mm
Pieces per pack	☞ 10

C

Pair of galvanised transverse dividers size 4	
Pieces per pack	☞ 1

D

Dust cover size 4	
Dust cover size 4A5	
Pieces per pack	☞ 10

E

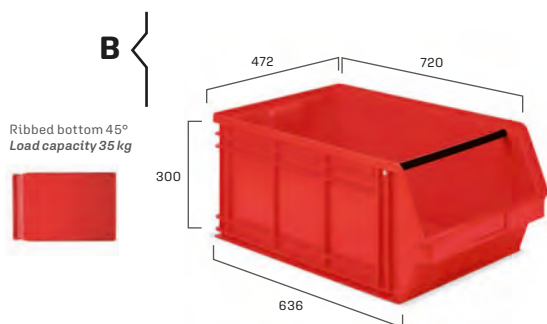
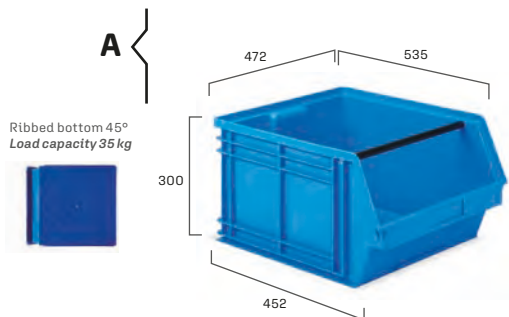
Inclined galvanised tag holder for size 4 - 4A5	100 x 67 mm
Pieces per pack	1

F

Sheet 18 labels for size 4A2	77 x 31 mm
Sheet 12 labels for size 4 - 4A5	77 x 42 mm
Pieces per pack	☞ 1

iMilani srl reserves the right to alter the characteristics of products without notice. The values shown are nominal, with a +/- 1% tolerance for size, depending on the material, and a +/- 3% for weight.

	ARTICLE	RIBBED BOTTOM A 45°	SIZE 5P4	SIZE 5	GR.	PACKAGING		UNIT PRICE €
						Qty. per pack.	Qty. per pallet	
A	CO Z5P4 5101	■	■		3370	18	42	
	CO Z5P4 5102	■	■		3370	18	42	
	CO Z5P4 5103	■	■		3370	18	42	
	CO Z5P4 5104	■	■		3370	18	42	
	CO Z5P4 5105	■	■		3370	18	42	
B	CO Z005 5101	■		■	4378	12	28	
	CO Z005 5102	■		■	4378	12	28	
	CO Z005 5103	■		■	4378	12	28	
	CO Z005 5104	■		■	4378	12	28	
	CO Z005 5105	■		■	4378	12	28	



A

Volume	63 L
Pieces per pack / pallet	📦 18 🚚 42
Package dimensions	1400 x 1100 x 1050 H mm
Pallet dimensions	1400 x 1100 x 2100 H mm

B

Volume	88 L
Pieces per pack / pallet	📦 12 🚚 28
Package dimensions	1450 x 1000 x 1050 H mm
Pallet dimensions	1450 x 1000 x 2100 H mm

DATASHEET

Size 5P4 - Size 5

iMICUBE

	ARTICLE	SIZE 5P4	SIZE 5	GR.	PACKAGING		UNIT PRICE €
					Qty. per pack.	Qty. per pallet	
A	CS Z5P4 0199	■			1420	1	
	CS Z005 0199		■		1750	1	
B	CD Z5P4 0099	■			680	1	
	CD Z005 0099		■		1000	1	
C	LH Z000 0099	■	■		150	1	
D	LB 12739 1001	■	■			1	
E	LB 18985 0301	■	■			1	
F	ZE Z002 5101	■	■		264	54	1080
	ZE Z002 5102	■	■		264	54	1080
	ZE Z002 5103	■	■		264	54	1080
	ZE Z002 5104	■	■		264	54	1080
	ZE Z002 5105	■	■		264	54	1080



A



B



C



D



E



F

DATASHEET

A	
Galvanised longit. divider size 5P4 with pair of galvanised transverse supports	473 x 215 H mm
Galvanised longit. divider size 5 with pair of galvanised transverse supports	654 x 214 H mm
Pieces per pack	📦 1 set
B	
Galvanised longit. divider size 5P4	473 x 215 H mm
Galvanised longit. divider size 5	654 x 214 H mm
Pieces per pack	📦 1
C	
Inclined galvanised tag holder for size 5P4 - 5	128 x 90 mm
Pieces per pack	📦 1
D	
Sheet 10 upper labels for size 5P4- 5	127 x 39 mm
Pieces per pack	📦 1
E	
Sheet 3 lower labels for size 5P4-5	189 x 85 mm
Pieces per pack	📦 1
F	
Box for division into 6 compartments size 5P4 and into 8 compartments size 5	200 x 140 x 130 H mm
Volume	88 L
Pieces per pack / pallet	📦 54 📦 1080
Package dimensions	640 x 460 x 500 H mm
Pallet dimensions	1400 x 1100 x 1660 H mm

iMilani srl reserves the right to alter the characteristics of products without notice. The values shown are nominal, with a +/- 1% tolerance for size, depending on the material, and a +/- 3% for weight.